

TECHNICAL DATA

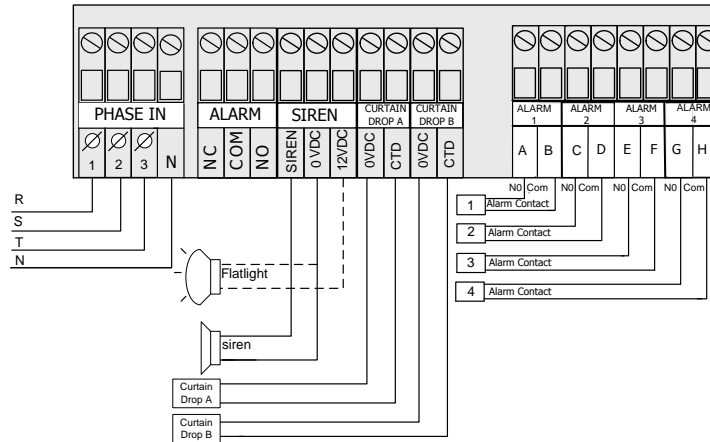
Electrical

Supply voltage	380	Vac
Nominal frequency	50	Hz
Power consumption	20	Watts
Fuse		

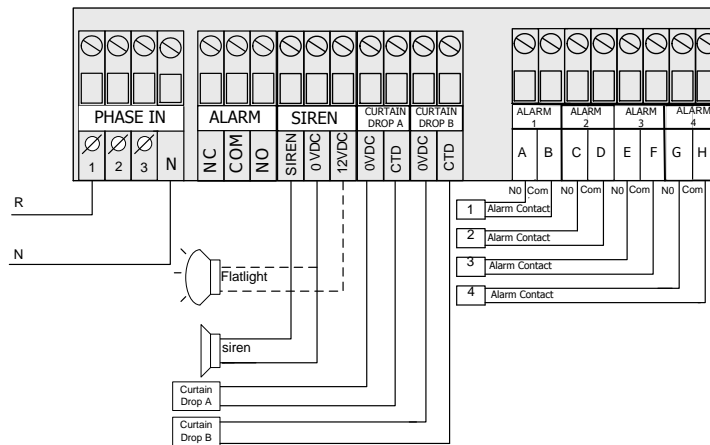
Alarm System

Number of alarm control	1	set
Relay	Max. 250 VAC	5 Ampere
Fuse		

1. Installation

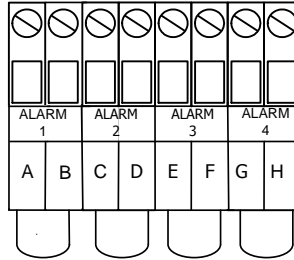


Installation diagram 3 phase

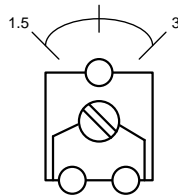


Installation diagram 1 phase

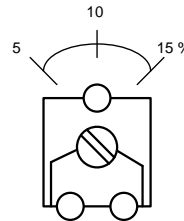
- 1.1 Use correct wires as shown on the Installation diagram.
- 1.2 Turn ON key switch (if switch at ON is use battery incase electric shutdown have electric for circuit)
- 1.3 Connect Siren 12 V. (picture)
- 1.4 If user doesn't want to use Alarm Contact 1-4 Can be connected circuit follow below the picture



- 1.5 Setup Curtain Delay Time, Under Over Voltage (on the board)
- Curtain Delay Time** is Time is while Curtain Drop how many minute work after switch off user can set time between 1.5, 2 and 3 minute as follows picture
- Under-Over Voltage** is Pressure of current is tip or Pressure of current is surge user can set will consent to be tip or surge how many can over if current is tip or surge more than the value at user set Machine will check the value is Under or Over can set to be percent (%) as follows picture



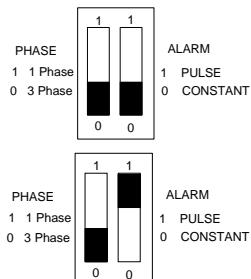
Curtain Delay Time
(MN.)



Under-Over
Voltage (%)

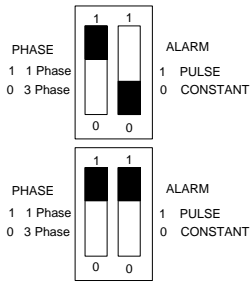
- 1.6 Choose phase and sound of Alarm at SW1 (on the board)

Controller Temp AL-01 can choose be usable 2 type is 3 phase and 1 phase and choose type the sound of Alarm 2 type is continuous (Constant) or short period of alarm (Pulse) user can choose type of work by move at SW1 as follows picture



This picture use 3 phase and Alarm is continuous

This picture use 3 phase and Alarm is short period of alarm



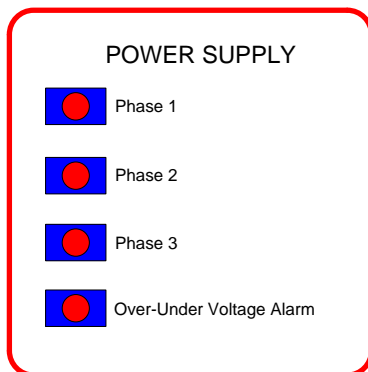
This picture use 1 phase and Alarm is continuous

This picture use 1 phase and Alarm is short period of alarm

- .7 Turn on the power to Temp AL-01 observe at Ready light will blink 3 second afterward Charge light and phase 1,2,3 light if appear as follows show that Temp AL-01 usable

Note: In case do not be as follows should OFF current and check immediately

2. FRONT PANEL & DISPLAY



2.1 Part 1 Power Supply

Phase 1 Show status of light of Phase 1

Status LED light	On	Phase 1 is normal
	Off	Phase 1 is off
	Blink	Phase 1 is ever born a problem (Phase 1 able lost or tip)

Phase 2 Show status of light of Phase 2

Status LED light	On	Phase 2 is normal
	Off	Phase 2 is off
	Blink	Phase 2 is ever born a problem (Phase 2 able lost or tip)

Phase 3 Show status of light of Phase 3

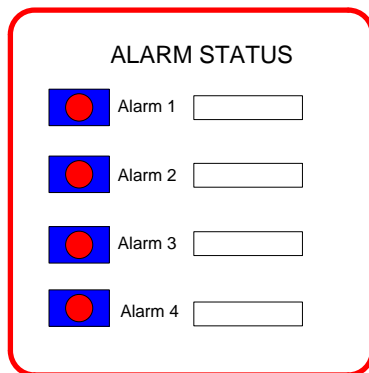
Status LED light	On	Phase 3 is normal
	Off	Phase 3 is off
	Blink	Phase 3 is ever born a problem (Phase 3 able lost or tip)

Under-Over Voltage Alarm

Show status of current is tip or current is over

Status LED light	On	Current is tip or current is over
	Off	Wait for the work (Curtain Drop)
	Blink	Status is normal

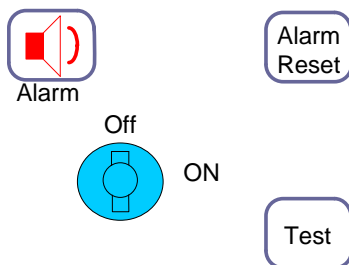
2.2 Part 2 ALARM STATUS



Alarm 1-4 (If connect with equipment (Alarm Contact) another) Show status occurrence Alarm of the equipment that the user bring to connect

Status LED light	On	Have the problem
	Blink	ever born the problem
	Off	Normal

2.3 Part 3 Button of Temp AL-01



2.3.1 Alarm Reset Button

1. When Alarm user can press Alarm Reset button for stop Alarm 3 minute (observe LED Alarm will Blink)
2. Status is ever born alarm light at ever born alarm will Blink user can press Alarm Reset Button for make the light is Blink return to normal condition (In case of the user can solve the event was ever born Alarm get already)

2.3.2 Test Button Use for Test system as follows

1. Can check turn on the power system by:

Press Test button 1 time Alarm will loud 2 times

1st Alarm will loud from the turn on the power inside

2nd Alarm will loud from battery

Show that Part of supply is well

2. Can check Curtain Drop system by:

Press Test button unfinished will loud same case 1 afterwards LED Over-Under will Blink 11 times already Curtain Drop system will work

(User must press Test button unfinished until Curtain Drop work)

2.3.3 Key switch

Status Off is do not use battery

Status On is use battery

(User should twist the key to On because if Power is Off Temp AL-01 can work by battery)

2.4 Part 4 BATTERY STATUS

Can check turn on the power system by

Press Test button 1 time Alarm will loud 2 times

1st Alarm will loud from the turn on the power inside

2nd Alarm will loud from battery

Show that turn on the power is well

Compose by LED light 2 each

Green light (LED) show status Ready is ready to work

Red light (LED) show status Charge is charging battery

